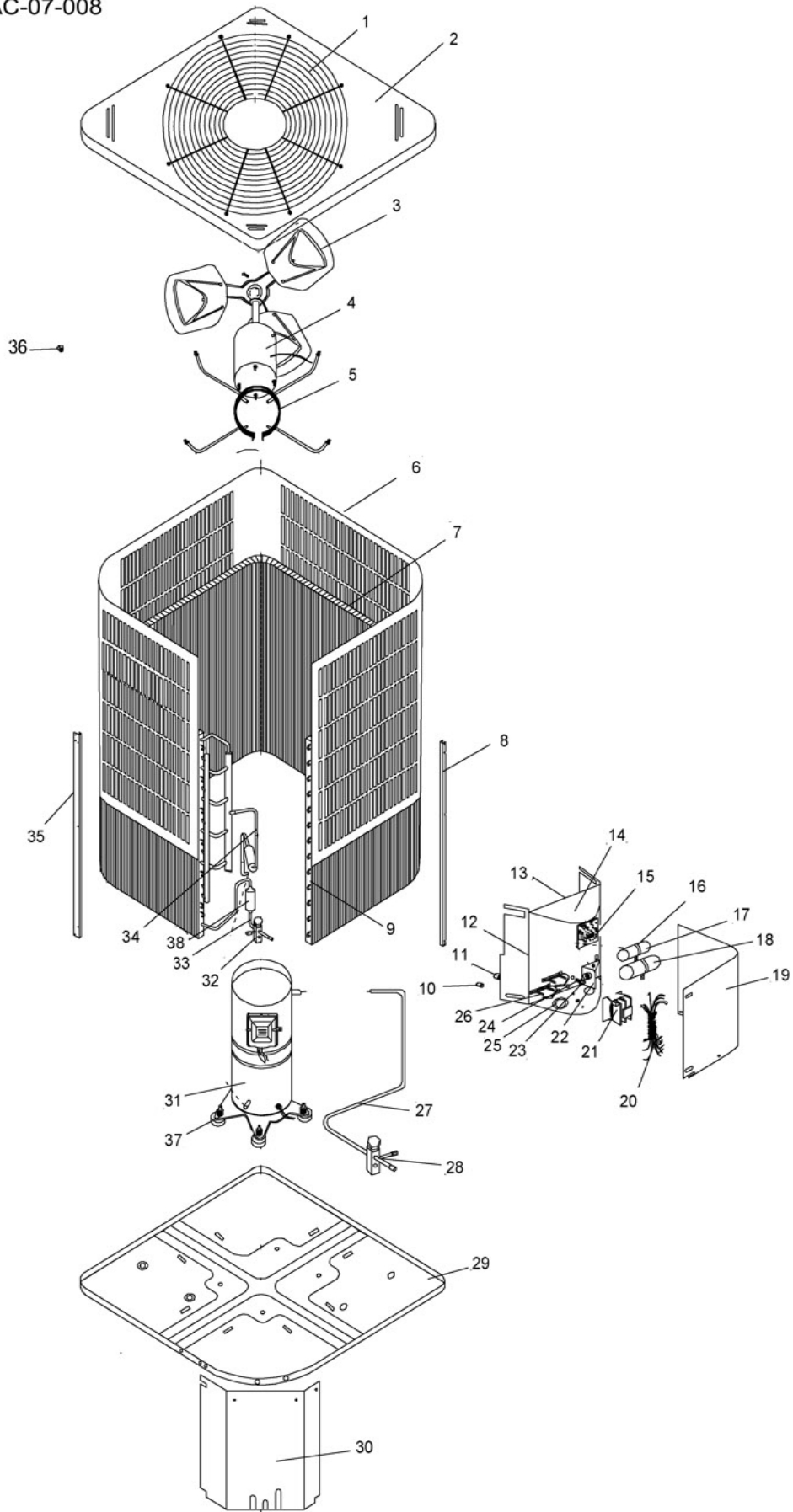


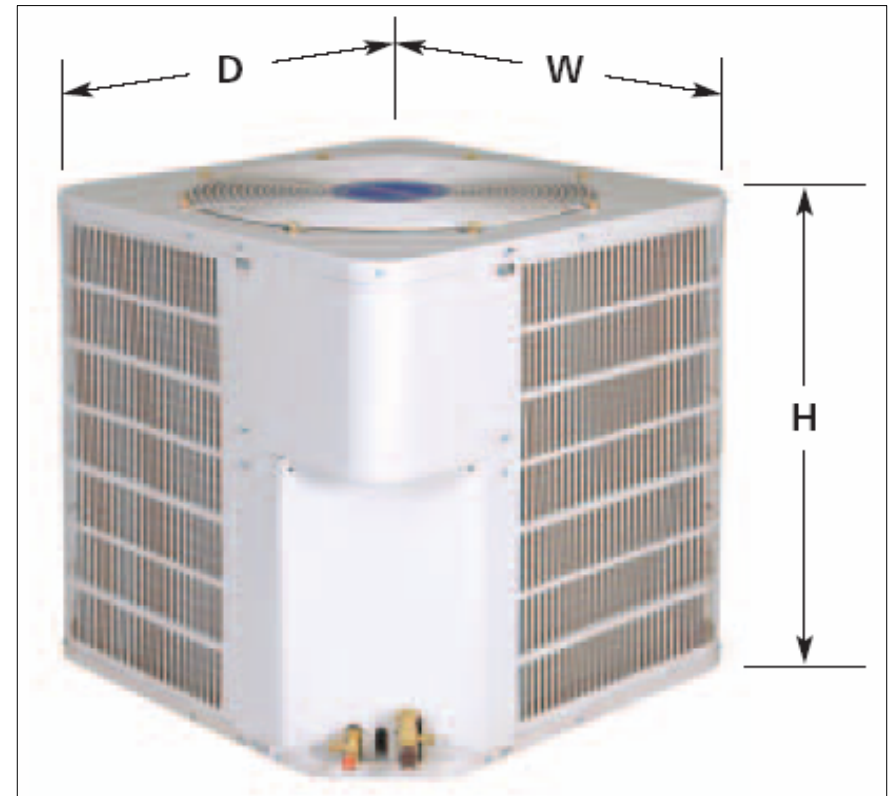
AC-07-008



ECR International C13xx1VAR 13 Seer Air Conditioning - 2006 - 2007								
Key No.	Description	C13181VAR	C13241VAR	C13301VAR	C13361VAR	C13421VAR	C13481VAR	C13601VAR
		1½ Ton	2 Ton	2½ Ton	3 Ton	3½ Ton	4 Ton	5 Ton
1	Grille, Top	AC-3150-73	AC-3150-74	AC-3150-74	AC-3150-74	AC-3150-74	AC-3150-74	AC-3150-74
2	Cover, Top	AC-1950-226	AC-1950-227	AC-1950-227	AC-1950-227	AC-1950-227	AC-1950-227	AC-1950-227
3	Fan Blade	AC-2750-88	AC-2750-89	AC-2750-89	AC-2750-90	AC-2750-89	AC-2750-90	AC-2750-90
4	Condenser Fan Motor	AC-4550-69	AC-4550-187	AC-4550-187	AC-4550-189	AC-4550-97	AC-4550-188	AC-4550-141
5	Condenser Fan Motor Bracket	AC-0850-97	AC-0850-98	AC-0850-98	AC-0850-98	AC-0850-98	AC-0850-98	AC-0850-98
6	Cabinet Casing	AC-1480-16	AC-1480-17	AC-1480-18	AC-1480-18	AC-1480-19	AC-1480-18	AC-1480-19
7	Condenser Coil Assembly	AC-1800-58	AC-1800-60	AC-1800-70	AC-1800-70	AC-1800-59	AC-1800-63	AC-1800-94
8	Bracket, Heat Exchanger, Right-Hand	AC-0850-48	AC-5300-207	AC-0850-46	AC-0850-46	AC-0850-47	AC-0850-46	AC-0850-47
9	Board, Pipe	AC-0668-90	AC-0668-91	AC-0668-92	AC-0668-92	AC-0668-93	AC-5200-301	AC-0668-93
10	Grommet, # 3	AC-3200-08	AC-3200-08	AC-3200-08	AC-3200-08	AC-3200-08	AC-3200-08	AC-3200-08
11	Grommet, # 5	AC-3200-09	AC-3200-09	AC-3200-09	AC-3200-09	AC-3200-09	AC-3200-09	AC-3200-09
12	Cushion, # 2	AC-2015-186	AC-2015-186	AC-2015-186	AC-2015-186	AC-2015-186	AC-2015-186	AC-2015-186
13	Cushion, # 1	AC-2015-187	AC-2015-187	AC-2015-187	AC-2015-187	AC-2015-187	AC-2015-187	AC-2015-187
14	Control Box	AC-0800-53	AC-0800-53	AC-0800-53	AC-0800-53	AC-0800-53	AC-0800-53	AC-0800-53
15	Control Board, 3-Minute Delay	AC-0668-25	AC-0668-25	AC-0668-25	AC-0668-25	AC-0668-25	AC-0668-25	AC-0668-25
16	Capacitor Clip, (Mounting Strap)	AC-1650-43	AC-1650-43	AC-1650-43	AC-1650-43	AC-1650-43	AC-1650-43	AC-1650-43
17	Capacitor, Condenser Fan Motor	AC-1400-28	AC-1400-28	AC-1400-28	AC-1400-28	AC-1400-28	AC-1400-28	AC-1400-79
18	Capacitor, Compressor	AC-1400-42	AC-1400-42	AC-1400-42	AC-1400-18	AC-1400-05	AC-1400-23	AC-1400-70
19	Control Box Cover	AC-1950-77	AC-1950-77	AC-1950-77	AC-1950-77	AC-1950-77	AC-1950-77	AC-1950-77
20	Wire Harness, (Outdoor)	AC-3363-11	AC-3363-08	AC-3363-08	AC-3363-08	AC-3363-08	AC-3363-08	AC-3363-08
21	Contactora	AC-1858-01	AC-1858-01	AC-1858-01	AC-1858-02	AC-1858-02	AC-1858-02	AC-1858-02
22	Bracket	AC-0850-76	AC-0850-76	AC-0850-76	AC-0850-76	AC-0850-76	AC-0850-76	AC-0850-76
23	Plug	AC-5310-07	AC-5310-07	AC-5310-07	AC-5310-07	AC-5310-07	AC-5310-07	AC-5310-07
24	Screw	AC-6150-52	AC-6150-52	AC-6150-52	AC-6150-52	AC-6150-52	AC-6150-52	AC-6150-52
25	Grommet	AC-3200-10	AC-3200-10	AC-3200-10	AC-3200-10	AC-3200-10	AC-3200-10	AC-3200-10
26	Wire Clip	AC-1650-36	AC-1650-36	AC-1650-36	AC-1650-36	AC-1650-36	AC-1650-36	AC-1650-36
27	Pipe, A/C Suction Line	AC-5255-300	AC-5255-301	AC-5255-301	AC-5255-318	AC-5255-302	AC-5255-302	AC-5255-303
28	Service Valve, Suction Line	AC-7800-49	AC-7800-49	AC-7800-49	AC-7800-50	AC-7800-50	AC-7800-50	AC-7800-50
29	Bottom Pan Assembly	AC-5150-19	AC-5150-77	AC-5150-77	AC-5150-77	AC-5150-77	AC-5150-77	AC-5150-77
30	Access Panel	AC-5200-138	AC-5200-317	AC-5200-139	AC-5200-139	AC-5200-136	AC-5200-139	AC-5200-136
31	Compressor, H20J153ABCA	AC-1750-153	---	---	---	---	---	---
31	Compressor, H20J213ABCA	---	AC-1750-154	---	---	---	---	---
31	Compressor, H20J233CBCC	---	---	AC-1750-108	---	---	---	---
31	Compressor, H20J293ABCA	---	---	---	AC-1750-162	---	---	---
31	Compressor, Bristol	---	---	---	---	AC-1750-76	---	---

ECR International C13xx1VAR 13 Seer Air Conditioning - 2006 - 2007

Model No.	Dimensions			Weight
	W (inches)	D (inches)	H (inches)	Lb.
C13181VAR	23-3/8	23-3/8	32-3/16	156
C13241VAR	30-5/8	30-5/8	28-1/4	194
C13301VAR	30-5/8	30-5/8	32-3/16	198
C13361VAR	30-5/8	30-5/8	32-3/16	203
C13421VAR	30-5/8	30-5/8	32-3/16	231
C13481VAR	30-5/8	30-5/8	36-1/8	244
C13601VAR	30-5/8	30-5/8	40	271



ECR International C13xx1VAR 13 Seer Air Conditioning - 2006 - 2007

Model Number		C13181VAR	C13241VAR	C13301VAR	C13361VAR	C13421VAR	C13481VAR	C13601VAR	
Rated Cooling Capacity	BTU/Hr.	18,000	24,000	28,000	35,000	40,000	47,000	56,000	
Power Supply	V/Ph/Hz	230 / 208 / 1 / 60							
Voltage Range	V	197 - 253							
Operating Amps	A	7.5	9.7	11.1	13.8	15.0	19.6	21.6	
Min. Wire Ampacity	A	8.6	11.6	12.4	15.9	17.7	21.8	33.7	
Max. Fuse or HACR type Breaker	A	15	20	20	25	30	35	55	
Compressor	Type	Reciprocating	Reciprocating	Reciprocating	Reciprocating	Reciprocating	Reciprocating	Scroll	
	FLA	A	6.2	8.6	9.2	11.7	13.0	15.8	
	LRA	A	41.0	60.0	60.0	73.0	85.0	90.0	
Fan Motor	Type	PSC	PSC	PSC	PSC	PSC	PSC	PSC	
	FLA	A	0.86	1.10	1.10	1.30	1.43	2.00	
	Rated HP		1/8	1/6	1/6	1/4	1/3	1/2	
	Nominal RPM		1000	840	840	850	1070	960	
Fan Blades	No. of Blades	3	3	3	3	3	3	3	
	Diameter		18"	23"	23"	24"	23"	24"	
	Nominal CFM		1350	1800	2100	2700	3200	3600	
Outdoor Coil	Type	Enhanced Aluminum Fins and Grooved Copper Tubes							
	Area	ft ²	10.8	16	18.4	18.4	20.85	18.4	23.3
	Rows / FPI		1 / 21	1 / 21	1 / 21	1 / 21	1 / 21	2 / 16	2 / 21
	Tube Dia.	in.	3/8	3/8	3/8	3/8	3/8	3/8	3/8
Refrigerant Line Sizes	Liquid	in. O.D.	3/8	3/8	3/8	3/8	3/8	3/8	
	Vapor	in. O.D.	3/4	3/4	3/4	7/8	7/8	7/8	
Refrigerant Charge	Oz.	86.57	102.47	121.91	134.28	148.41	178.45	259.72	