



Keeping  
**Families**  
**Comfortable**  
For More  
Than 60 Years



## Reliable, Efficient Home Oil Furnaces

- Variable Speed Technology
- Up to 87.2% Efficiency
- Optional Cooling Up to 5 Tons



# Olsen Provides The Best Value In Oil Heating Comfort For **Your Family.**

## Why Choose Olsen?

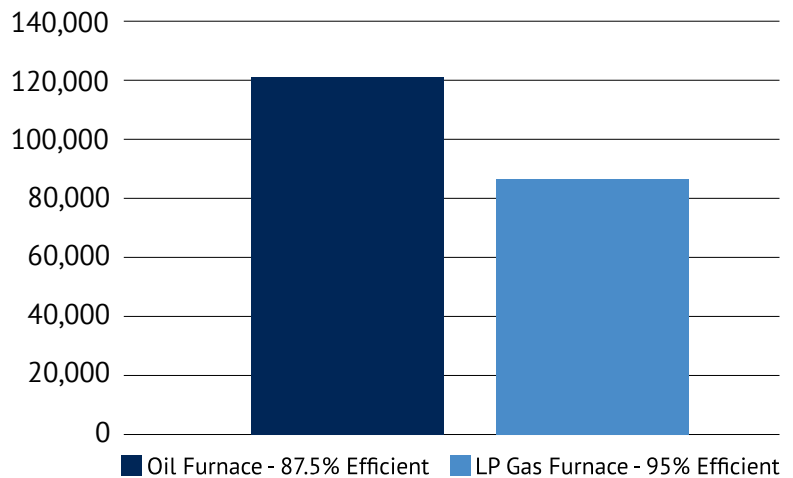
You want your home to be comfortable, but you also need to be mindful of annual fuel costs, maintenance and dependability. So where do you turn? Olsen oil furnaces have been reliably heating homes for generations. If you want to get the most out of your next heating system, Olsen has the optimal oil furnace solution – like our new UML and LRF series furnaces. These innovative products feature ENERGY STAR® models that can achieve efficiencies up to 87.2% AFUE. Installing a higher-AFUE Olsen furnace provides more heat for every dollar spent and may also qualify for energy-efficiency rebates or incentives.

## Did You Know?

Fuel oil has 138,500 BTUs of energy in every gallon. Propane has only 91,333 BTUs. So for every gallon of fuel oil you get approximately 52% more fuel energy to convert to heat for your home.

Another factor to consider is the cost of the fuels. Over the past decade fuel oil continues to be the most cost effective choice in the Northeast.

## Oil Supplies More Heat Per Gallon of Fuel



## Proudly Built in the USA



Manufactured in our Dunkirk, New York facility, each Olsen furnace is assembled to our high-quality standards and tested prior to shipping.

## We've Got You Covered!

We stand behind every Olsen product we engineer and build with a Limited Lifetime Heat Exchanger Warranty and a five-year parts warranty. For additional coverage, the Trinity Warranty Plan is also available. It offers parts and labor coverage for either five or 10 years from the date of installation.

## What Do Our Customers Say...

“Compact and efficient. That’s what we wanted. Our old furnace was very old and needed replacement. Our new Olsen furnace has been very reliable.”

*Tim ~ Erie, PA*

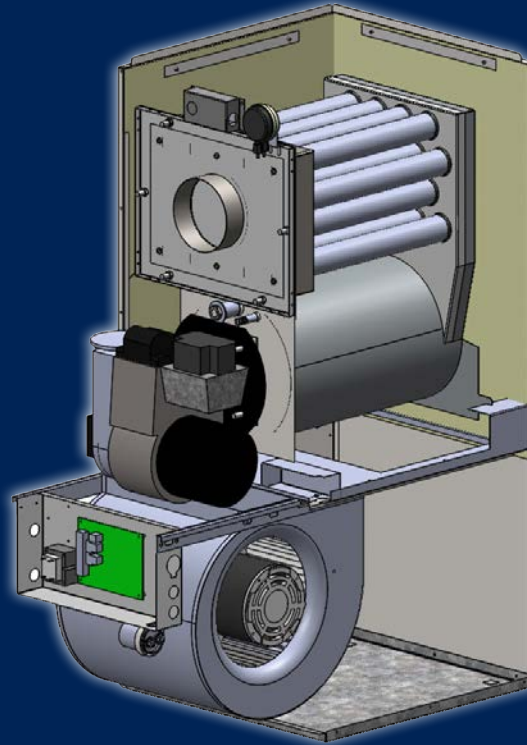
# Olsen Furnaces – Exceptional Features

## Stainless Steel, High-Efficiency Heat Exchanger

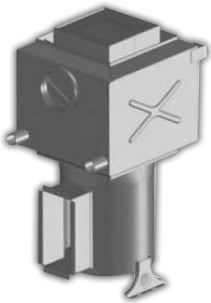
### Olsen's Latest Innovation!

Our multi-pass design consists of a primary heat exchanger that utilizes a high-grade 409 stainless steel drum to withstand extreme temperatures and corrosive conditions. Additional passes are constructed of aluminized steel tubes with stainless steel turbulators, which increase surface area, resulting in maximum efficiency levels and reduced operating costs.

Featured on ENERGY STAR® models.

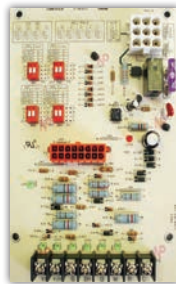


Shown on Universal Series Model



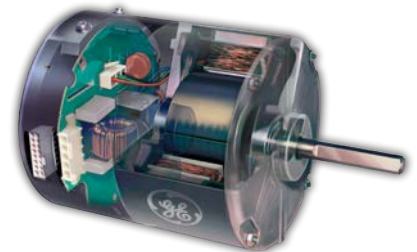
### Welded Steel Heat Exchanger

Our standard dual-pass heat exchanger is constructed of heavy-gauge welded steel for added reliability. The large surface area maximizes heat transfer into your home. Accessible clean-out ports simplify routine maintenance. (Found on all models except UML, UMLV, LRF, LRFV)



### Electronic Fan Timer Control

Wiring is color-coded and equipped with connections for easy air conditioning, humidifier and air cleaner installation. A terminal strip is also supplied for thermostat connections. (Found on all models except BCL120ST2, BCL145ST2, BCL190, BFL120T2, BFL145TNX2)



### ECM Blower Motor

The variable speed technology of an ECM, Electronically Commutated Motor, increases comfort and reduces operating noise by quietly ramping the blower fan up and down, providing a more consistent heat in the living space. The high-efficiency blower reduces electrical consumption up to 80%\* and many utilities offer rebates on furnaces equipped with an ECM.\*\* (Found on UMLV, LRFV, BMLV, HTLV, HMLV, WMLV models)

\*Individual savings may vary

\*\*Check with your local government agencies and/or utilities regarding the availability of rebates. Another resource is [www.dsireusa.org](http://www.dsireusa.org)

# Our **Most Versatile** & Efficient Furnace Series!

## The Universal Series

### Models (UML, UMLV)

The Universal Series is a multi-positional furnace that can replace highboy, lowboy, horizontal or downflow furnaces...versatility to fit any application! Compared with oil furnaces of long ago, the compact design of the Universal Series will allow you to claim more usable area in your basement. Additionally you will be able to enjoy fuel cost savings and greater comfort for you and your family!

## Versatility to Fit Any Application



**4 Positions:** Upflow,  
Downflow or Horizontal

FOR SPECIFICATION INFORMATION, SEE PAGES 8-9

BTUH Input ..... 77,000 to 119,000  
Efficiencies..... Up to 87.0% AFUE  
Heat Exchanger ..... Stainless Steel High-Efficiency Multi-Pass  
Flue Location ..... Front  
Height: ..... 42-<sup>3</sup>/<sub>4</sub>"  
Supply Opening: ..... 17-<sup>3</sup>/<sub>4</sub>" x 18-<sup>3</sup>/<sub>4</sub>"  
Return: ..... 14" x 18"

#### Chimney Vent Burner Options

- Beckett AFG
- Riello 40F3
- Carlin EZ-LF

#### Direct Vent Burner Options

- Beckett NX
- Riello 40BF3
- Riello 40BF5

#### Blower Motor Options

- ECM Variable Speed High Efficiency
- PSC Direct Drive

#### Other Features of the UML, UMLV Include:

- Select models meet ENERGY STAR® requirements
- Four Firing Rates: .55, .65, .75 and .85 gph
- Models are shipped at .65 gph firing rate with all alternative nozzles supplied with furnace
- Front access to heat exchanger. Easy to clean
- Includes a 16" x 20" filter rack with washable, reusable filter. The filter rack can double as a transition piece if the installer wishes to use a Buffalo Boot instead.
- Barometric damper (Chimney Vent Only)
- Listed for closet installations
- Durable 22-gauge steel cabinet ensures strength while full fiber-reinforced foil faced insulation and "cool-to-touch" technology provide quiet operation
- A/C Ready - Up to 4 Tons



Cost-Efficient



Versatile



A/C Ready

# Our **Most Efficient** Lowboy Model Yet!

## NEW! Lowboy Series

### Models (LRF, LRFV)

The LRF/LRFV models are unique to the Lowboy series as they feature our newly designed stainless steel high-efficiency heat exchanger.



FOR SPECIFICATION INFORMATION, SEE PAGES 10-11



Cost-Efficient



A/C Ready

BTUH Input ..... 77,000 to 119,000  
 Efficiencies..... Up to 86.8% AFUE  
 Heat Exchanger ..... Stainless Steel High-Efficiency Multi-Pass  
 Flue Location ..... Rear  
 Height: ..... 33<sup>-5/8</sup>"  
 Supply Opening: ..... 20<sup>-1/2</sup>" x 18"  
 Return: ..... 20<sup>-1/2</sup>" x 18<sup>-5/8</sup>"

#### Chimney Vent Burner Options

- Beckett AFG
- Riello 40F3
- Carlin EZ-LF

#### Direct Vent Burner Options

- Beckett NX
- Riello 40BF3
- Riello 40BF5

#### Blower Motor Options

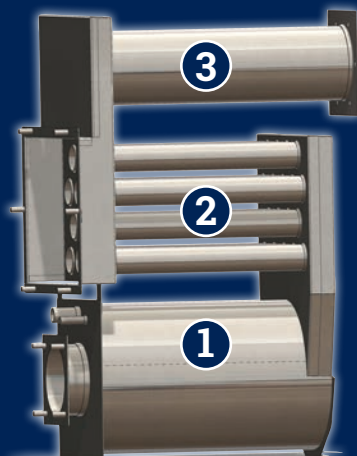
- ECM Variable Speed High Efficiency
- PSC Direct Drive

#### Other Features of the LRF, LRFV Include:

- Select models meet ENERGY STAR® requirements
- Four Firing Rates: .55, .65, .75 and .85 gph
- Models are shipped at .65 gph firing rate with all alternative nozzles supplied with furnace
- Front access to heat exchanger. Easy to clean
- Includes a 20" x 20" filter rack with washable, reusable filter.
- Barometric damper (Chimney Vent Only)
- Durable 22-gauge steel cabinet ensures strength while full fiber-reinforced foil faced insulation and "cool-to-touch" technology provide quiet operation
- A/C Ready - Up to 4 Tons



STAINLESS STEEL  
TURBULATORS



## Stainless Steel, High-Efficiency Heat Exchanger

### Featured on LRF and LRFV models:

- 1.) Primary heat exchanger utilizes a high-grade 409 stainless steel drum to withstand extreme temperatures and corrosive conditions.
- 2.) Second pass is constructed of aluminized steel tubes with stainless steel turbulators, which can easily be removed as shown for easy cleaning.
- 3.) Large heat transfer surface results in maximum efficiency levels and reduced operating costs.

# Reliable, Efficient Olsen Oil Furnaces

## The Lowboy Series

### Models (BCL/BFL)

*Our Largest Capacity Lowboy Models*

BTUH Input .....	105,000 to 231,000
Efficiencies .....	Up to 87.2% AFUE
Heat Exchanger .....	Welded Steel Dual-Pass
Flue Location .....	Front/Rear
Height: .....	41"
BCL 190 & BCL 190/225: .....	56"
Supply Opening: .....	20 <sup>-1/2</sup> " x 18 <sup>-5/8</sup> "
BCL 190/225: .....	24" x 22"
Return: .....	20 <sup>-1/2</sup> " x 18 <sup>-5/8</sup> "
BCL 190/225: .....	24" x 22"

### Models (BML/BMLV)

BTUH Input .....	70,000 to 105,000
Efficiencies .....	Up to 87.2% AFUE
Heat Exchanger .....	Welded Steel Dual-Pass
Flue Location .....	Rear
Height: .....	32"
Supply Opening: .....	20 <sup>-1/2</sup> " x 19"
Return: .....	20 <sup>-1/2</sup> " x 18 <sup>-1/2</sup> "



FOR SPECIFICATION INFORMATION, SEE PAGES 12-15



#### Chimney Vent Burner Options

- Beckett AF
- Beckett NX
- Riello 40F3

#### Direct Vent Burner Options

- Beckett AFII-85
- Beckett AFII-150
- Riello 40BF3

#### Blower Motor Options

- ECM Variable Speed High Efficiency
- PSC Direct Drive
- Belt Drive with Adjustable Motor Pulley

#### Other Features of the Lowboy Series Include:

- Front access to heat exchanger. Easy to clean
- Includes filter rack with washable, reusable filter(s)  
BCL/BFL-90/100/120/130/145: One 20" x 25"  
BCL-190/200/225: Two 20" x 25"  
BML-60/80/90: One 20" x 20"
- Barometric damper (Chimney Vent Only)
- Durable 22-gauge steel cabinet ensures strength while full fiber-reinforced foil faced insulation and "cool-to-touch" technology provide quiet operation
- A/C Ready- Up to 5 Tons (BCL Models)

## The Highboy Series

### Models (HTL/HML/HTLV/HMLV)

*Our Selection of Tall Up-Flow Highboy Models*

BTUH Input .....	70,000 to 140,000
Efficiencies .....	Up to 86.7% AFUE
Heat Exchanger .....	Welded Steel Dual-Pass
Flue Location .....	Front
Height .....	Front
HML: .....	49 <sup>-5/8</sup> "
HTL: .....	58"
Supply Opening: .....	20 <sup>-1/2</sup> " x 20"
Return: .....	14" x 22"



FOR SPECIFICATION INFORMATION, SEE PAGES 16-17



#### Chimney Vent Burner Options

- Beckett AF
- Beckett NX
- Riello 40F3

#### Direct Vent Burner Options

- Beckett AFII-185
- Riello 40BF3

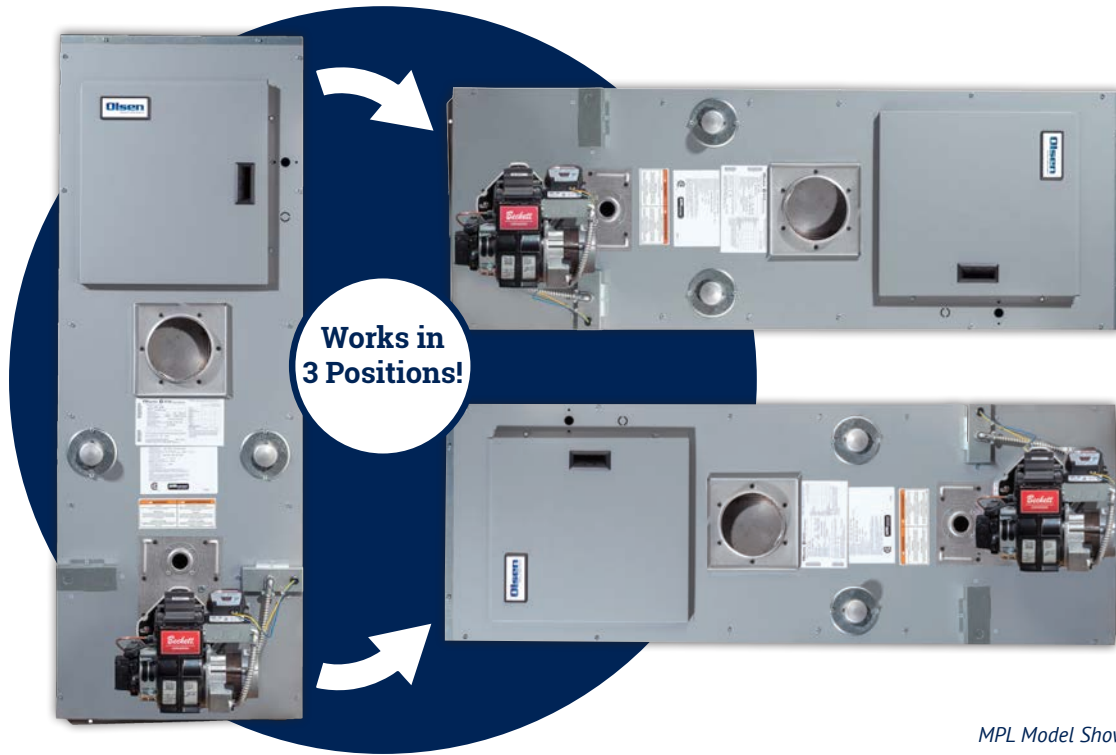
#### Blower Motor Options

- ECM Variable Speed High Efficiency
- PSC Direct Drive

#### Other Features of the Highboy Series Include:

- Includes a 16" x 25" filter rack with washable, reusable filter
- Barometric damper (Chimney Vent Only)
- Durable 22-gauge steel cabinet ensures strength while full fiber-reinforced foil faced insulation and "cool-to-touch" technology provide quiet operation
- A/C Ready- Up to 3.5 Tons

## The Multi-Position Series, Downflow or Horizontal



MPL Model Shown

### Models (WML/WMLV)

Available with Variable Speed Motor

BTUH Input .....70,000 to 105,000  
 Efficiencies ..... Up to 86.8% AFUE  
 Heat Exchanger ..... Welded Steel Dual-Pass  
 Flue Location ..... Front  
 Height: ..... 55-1/4"  
 Supply Opening: .....19" x 19"  
 Return: .....18" x 18"



Versatile



A/C Ready

#### Chimney Vent Burner Options

- Beckett AF
- Beckett NX
- Riello 40F3

#### Direct Vent Burner Options

- Beckett AFII-85
- Riello 40BF3

#### Blower Motor Options

- ECM Variable Speed High Efficiency
- PSC Direct Drive

#### Other Features of the WML, WMLV Include:

- Includes a 20" x 20" filter rack with washable, reusable filter
- Barometric damper (Chimney Vent Only)
- Durable 22-gauge steel cabinet ensures strength while full fiber-reinforced foil faced insulation and "cool-to-touch" technology provide quiet operation
- A/C Ready - Up to 3 Tons
- Optional vestibule compartment - available factory equipped or as field installed kit.

### Model (MPL)

Our Largest-Capacity Multi-Position Model

BTUH Input ..... 105,000 to 140,000  
 Efficiencies ..... Up to 86.6% AFUE  
 Heat Exchanger ..... Welded Steel Dual-Pass  
 Flue Location ..... Front  
 Height: ..... 62"  
 Supply Opening: .....20 1/2" x 20 1/2"  
 Return: .....18" x 18"



Versatile



A/C Ready

#### Chimney Vent Burner Options

- Beckett AF
- Riello 40F5

#### Direct Vent Burner Options

- Beckett AF-150

#### Blower Motor Options

- PSC Direct Drive

#### Other Features of the MPL Include:

- Includes a 20" x 20" filter rack with washable, reusable filter
- Barometric damper (Chimney Vent Only)
- Durable 22-gauge steel cabinet ensures strength while full fiber-reinforced foil faced insulation and "cool-to-touch" technology provide quiet operation
- A/C Ready- Up to 3 Tons

FOR SPECIFICATION INFORMATION, SEE PAGES 18-19

# Specifications - Universal Series (4 Positions) - UML, UMLV

MODEL	ITEM NUMBER	FIRING RATE GPH	INPUT/ OUTPUT MBH	AFUE-CHIMNEY VENT			BECKETT NX
				BECKETT AFG	RIELLO 40F3	CARLIN EZ-LF	
<b>UML80A</b>	<b>UML080210411106</b>	<b>0.65</b>	<b>91/77</b>	<b>86.0%</b>			
UML65A	Alternate Firing Rate	0.55	77/66	87.0%			
UML90A		0.75	105/88	85.0%			
UML100A		0.85	119/98	84.0%			
<b>UMLV80A*</b>		<b>UML080210412106</b>	<b>0.65</b>	<b>91/77</b>	<b>86.0%</b>		
UMLV65A*	Alternate Firing Rate	0.55	77/66	87.0%			
UMLV90A		0.75	105/88	85.0%			
UMLV100A		0.85	119/98	84.0%			
<b>UML80ARF</b>		<b>UML080240411106</b>	<b>0.65</b>	<b>91/77</b>		<b>86.0%</b>	
UML65ARF	Alternate Firing Rate	0.55	77/66		87.0%		
UML90ARF		0.75	105/87		85.0%		
UML100ARF		0.85	119/97		84.0%		
<b>UMLV80ARF*</b>		<b>UML080240412106</b>	<b>0.65</b>	<b>91/77</b>		<b>86.0%</b>	
UMLV65ARF*	Alternate Firing Rate	0.55	77/66		87.0%		
UMLV90ARF		0.75	105/87		85.0%		
UMLV100ARF		0.85	119/97		84.0%		
<b>UML80AC</b>		<b>UML080280411106</b>	<b>0.65</b>	<b>91/77</b>			<b>86.0%</b>
UML65AC	Alternate Firing Rate	0.55	77/66			87.0%	
UML90AC		0.75	105/88			84.0%	
UML100AC		0.85	119/98			83.0%	
<b>UMLV80AC*</b>		<b>UML080280412106</b>	<b>0.65</b>	<b>91/77</b>			<b>86.0%</b>
UMLV65AC*	Alternate Firing Rate	0.55	77/66			87.0%	
UMLV90AC		0.75	105/88			84.0%	
UMLV100AC		0.85	119/98			83.0%	
UML80ANXU		UML080262411106 / 550003435**	0.65	91/76			
UML65ANXU	UML080262411106 / 550003435**	0.55	77/65				85.0%
UML90ANXU	UML080262411106 / 550003435**	0.75	105/86				83.0%
UML100ANXU	UML080262411106 / 550003435**	0.85	119/97				83.0%
<b>UMLV80ANXU*</b>	<b>UML080262412106 / 550003435**</b>	<b>0.65</b>	<b>91/76</b>				<b>85.0%</b>
<b>UMLV65ANXU*</b>	<b>UML080262412106 / 550003435**</b>	<b>0.55</b>	<b>77/65</b>				<b>85.0%</b>
UMLV90ANXU	UML080262412106 / 550003435**	0.75	105/86				83.0%
UMLV100ANXU	UML080262412106 / 550003435**	0.85	119/97				83.0%
UML80ARBU	UML080262411106 / 550003433**	0.65	91/76				
UML65ARBU	UML080262411106 / 550003433**	0.55	77/65				
UML90ARBU	UML080262411106 / 550003434**	0.75	105/86				
UML100ARBU	UML080262411106 / 550003434**	0.85	119/97				
<b>UMLV80ARBU*</b>	<b>UML080262412106 / 550003433**</b>	<b>0.65</b>	<b>91/76</b>				
<b>UMLV65ARBU*</b>	<b>UML080262412106 / 550003433**</b>	<b>0.55</b>	<b>77/65</b>				
UMLV90ARBU	UML080262412106 / 550003434**	0.75	105/86				
UMLV100ARBU	UML080262412106 / 550003434**	0.85	119/97				

**BOLD TYPE** indicates factory-equipped firing rate. Other firing rates shown utilize alternate nozzles supplied with furnace.

\* ENERGY STAR® \*\*Item number includes: Furnace less burner / burner kit, ordered separately.



FUE DIRECT-VENT		MOTOR DRIVES		BREECH	SHIP WGT. (LBS.)	DIMENSIONS			AC RANGE IN TONS
RIELLO BF3	RIELLO BF5	ECM VARIABLE SPEED	PSC DIRECT DRIVE			HEIGHT	WIDTH	DEPTH	
			1/2 HP	Front Flue	188	42- <sup>3</sup> / <sub>4</sub> "	19"	20- <sup>3</sup> / <sub>16</sub> "	Up to 3 Tons
		1/2 HP		Front Flue	188	42- <sup>3</sup> / <sub>4</sub> "	19"	20- <sup>3</sup> / <sub>16</sub> "	Up to 4 Tons
			1/2 HP	Front Flue	188	42- <sup>3</sup> / <sub>4</sub> "	19"	20- <sup>3</sup> / <sub>16</sub> "	Up to 3 Tons
		1/2 HP		Front Flue	188	42- <sup>3</sup> / <sub>4</sub> "	19"	20- <sup>3</sup> / <sub>16</sub> "	Up to 4 Tons
			1/2 HP	Front Flue	188	42- <sup>3</sup> / <sub>4</sub> "	19"	20- <sup>3</sup> / <sub>16</sub> "	Up to 3 Tons
		1/2 HP		Front Flue	188	42- <sup>3</sup> / <sub>4</sub> "	19"	20- <sup>3</sup> / <sub>16</sub> "	Up to 4 Tons
			1/2 HP	Front Flue	188	42- <sup>3</sup> / <sub>4</sub> "	19"	20- <sup>3</sup> / <sub>16</sub> "	Up to 3 Tons
		1/2 HP		Front Flue	188	42- <sup>3</sup> / <sub>4</sub> "	19"	20- <sup>3</sup> / <sub>16</sub> "	Up to 4 Tons
84.0%			1/2 HP	Front Flue	188	42- <sup>3</sup> / <sub>4</sub> "	19"	20- <sup>3</sup> / <sub>16</sub> "	Up to 3 Tons
85.0%									
	83.0%								
	83.0%								
85.0%		1/2 HP		Front Flue	188	42- <sup>3</sup> / <sub>4</sub> "	19"	20- <sup>3</sup> / <sub>16</sub> "	Up to 4 Tons
85.0%									
	83.0%								
	83.0%								

# Specifications - Lowboy Series - LRF, LRFV

MODEL	ITEM NUMBER	FIRING RATE GPH	INPUT/OUT- PUT MBH	AFUE-CHIMNEY VENT			AFUE DIRECT-VE	
				BECKETT AFG	RIELLO 40F3	CARLIN EZ-LF	BECKETT NX	RIELLO BF3
<b>LRF80</b>	<b>LRF080210411006</b>	<b>0.65</b>	<b>91/78</b>	<b>85.9%</b>				
LRF65	Alternate Firing Rate	0.55	77/76	86.1%				
LRF90		0.75	105/89	85.3%				
LRF100		0.85	119/100	84.5%				
<b>LRFV80*</b>	<b>LRF080210412006</b>	<b>0.65</b>	<b>91/78</b>	<b>85.9%</b>				
LRFV65*	Alternate Firing Rate	0.55	77/76	86.1%				
LRFV90		0.75	105/89	85.3%				
LRFV100		0.85	119/100	84.5%				
<b>LRF80RF</b>	<b>LRF080240411006</b>	<b>0.65</b>	<b>91/78</b>		<b>86.4%</b>			
LRF65RF	Alternate Firing Rate	0.55	77/76		86.8%			
LRF90RF		0.75	105/89		85.6%			
LRF100RF		0.85	119/100		85.1%			
<b>LRFV80RF*</b>	<b>LRF080240412006</b>	<b>0.65</b>	<b>91/78</b>		<b>86.4%</b>			
LRFV65RF*	Alternate Firing Rate	0.55	77/76		86.8%			
LRFV90RF		0.75	105/89		85.6%			
LRFV100RF		0.85	119/100		85.1%			
<b>LRF80C</b>	<b>LRF080280411006</b>	<b>0.65</b>	<b>91/78</b>			<b>85.9%</b>		
LRF65C	Alternate Firing Rate	0.55	77/76			86.5%		
LRF90C		0.75	105/89			85.8%		
LRF100C		0.85	119/100			84.4%		
<b>LRFV80C*</b>	<b>LRF080280412006</b>	<b>0.65</b>	<b>91/78</b>			<b>85.9%</b>		
LRFV65C*	Alternate Firing Rate	0.55	77/76			86.5%		
LRFV90C		0.75	105/89			85.8%		
LRFV100C		0.85	119/100			84.4%		
LRF80ANXU	LRF080262411006/550003435**	0.65	91/76				85.4	
LRF65ANXU	LRF080262411006/550003435**	0.55	77/65				86.4	
LRF90ANXU	LRF080262411006/550003435**	0.75	105/87				84.7	
LRF100ANXU	LRF080262411006/550003435**	0.85	119/98				84.3	
<b>LRFV80ANXU*</b>	<b>LRF080262412006/550003435**</b>	<b>0.65</b>	<b>91/76</b>				<b>85.4</b>	
<b>LRFV65ANXU*</b>	<b>LRF080262412006/550003435**</b>	<b>0.55</b>	<b>77/65</b>				<b>86.4</b>	
LRFV90ANXU	LRF080262412006/550003435**	0.75	105/87				84.7	
LRFV100ANXU	LRF080262412006/550003435**	0.85	119/98				84.3	
LRF80ARBU	LRF080262411006/550003433**	0.65	91/76					85.7
LRF65ARBU	LRF080262411006/550003433**	0.55	77/65					87.1
LRF90ARBU	LRF080262411006/550003434**	0.75	105/87					
LRF100ARBU	LRF080262411006/550003434**	0.85	119/98					
<b>LRFV80ARBU*</b>	<b>LRF080262412006/550003433**</b>	<b>0.65</b>	<b>91/76</b>					<b>85.7</b>
<b>LRFV65ARBU*</b>	<b>LRF080262412006/550003433**</b>	<b>0.55</b>	<b>77/65</b>					<b>87.1</b>
LRFV90ARBU	LRF080262412006/550003434**	0.75	105/87					
LRFV100ARBU	LRF080262412006/550003434**	0.85	119/98					

NT	MOTOR DRIVES		BREECH	SHIP WGT. (LBS.)	DIMENSIONS			AC RANGE IN TONS
	RIELLO BF5	ECM VARIABLE SPEED			PSC DIRECT DRIVE	HEIGHT	WIDTH	
		1/2 HP	Rear Flue	240	33 <sup>-5/8</sup> "	22"	53 <sup>-1/2</sup> "	Up to 3 Tons
	1/2 HP		Rear Flue	240	33 <sup>-5/8</sup> "	22"	53 <sup>-1/2</sup> "	Up to 4 Tons
		1/2 HP	Rear Flue	240	33 <sup>-5/8</sup> "	22"	53 <sup>-1/2</sup> "	Up to 3 Tons
	1/2 HP		Rear Flue	240	33 <sup>-5/8</sup> "	22"	53 <sup>-1/2</sup> "	Up to 4 Tons
		1/2 HP	Rear Flue	240	33 <sup>-5/8</sup> "	22"	53 <sup>-1/2</sup> "	Upt to 3 Tons
	1/2 HP		Rear Flue	240	33 <sup>-5/8</sup> "	22"	53 <sup>-1/2</sup> "	Up to 4 Tons
		1/2 HP	Rear Flue	240	33 <sup>-5/8</sup> "	22"	53 <sup>-1/2</sup> "	Up to 3 Tons
	1/2 HP		Rear Flue	240	33 <sup>-5/8</sup> "	22"	53 <sup>-1/2</sup> "	Up to 4 Tons
		1/2 HP	Rear Flue	240	33 <sup>-5/8</sup> "	22"	53 <sup>-1/2</sup> "	Up to 3 Tons
84.9								
84.1								
	1/2 HP		Rear Flue	240	33 <sup>-5/8</sup> "	22"	53 <sup>-1/2</sup> "	Up to 4 Tons
84.9								
84.1								

# Specifications - Lowboy Series - BCL, BFL

MODEL	ITEM NUMBER	FIRING RATE GPH	INPUT/OUTPUT MBH	AFUE-CHIMNEY VENT			AFUE DIRECT-VENT
				BECKETT AF	BECKETT NX	RIELLO 40F3	BECKETT AFII-150
<b>BCLB120S2</b>	<b>32312062</b>	<b>1.00</b>	<b>140/117</b>	<b>84.4%</b>			
BCLB90S2	Alternate Firing Rate	0.75	105/90	85.5%			
BCLB100S2		0.85	119/99	83.2%			
<b>BCL120S2</b>	<b>32312009</b>	<b>1.00</b>	<b>140/117</b>	<b>84.4%</b>			
BCL90S2	Alternate Firing Rate	0.75	105/90	85.5%			
BCL100S2		0.85	119/99	83.2%			
<b>BCL120ST2</b>	<b>32312005</b>	<b>1.00</b>	<b>140/117</b>	<b>84.4%</b>			
BCL90ST2	Alternate Firing Rate	0.75	105/90	85.5%			
BCL100ST2		0.85	119/99	83.2%			
<b>BCLB145S2</b>	<b>32314563</b>	<b>1.20</b>	<b>168/140</b>	<b>84.0%</b>			
BCLB130S2	Alternate Firing Rate	1.10	154/130	84.5%			
<b>BCL145S2</b>	<b>32314509</b>	<b>1.20</b>	<b>168/140</b>	<b>84.0%</b>			
BCL130S2	Alternate Firing Rate	1.10	154/130	84.5%			
<b>BCL145ST2</b>	<b>32314505</b>	<b>1.20</b>	<b>168/140</b>	<b>84.0%</b>			
BCL130ST2	Alternate Firing Rate	1.10	154/130	84.5%			
<b>BCL190</b>	<b>32319070</b>	<b>1.65</b>	<b>231/194</b>	<b>83.7% T</b>			
<b>BCL190/225</b>	<b>32319072</b>	<b>1.65</b>	<b>231/194</b>	<b>83.7% T</b>			
BCL200	Alternate Firing Rate	1.75	245/205	83.7% T			
BCL225		2.00	280/237	84.6% T			
<b>BCL100SRF2</b>	<b>32310017</b>	<b>0.85</b>	<b>119/102</b>			<b>86.2%</b>	
BCL90SRFS	Alternate Firing Rate	0.75	105/91			87.2%	
<b>BCL100SB2U2</b>	<b>32310013</b>	<b>0.85</b>	<b>119/101</b>				<b>86.0%</b>
BCL90SB2U2	Alternate Firing Rate	0.75	105/91				87.1%
BCL120SB2U2		1.00	140/118				85.1%
<b>BFLB120-2</b>	<b>32312045</b>	<b>1.00</b>	<b>140/114</b>	<b>83.0%</b>			
BFLB90-2	Alternate Firing Rate	0.75	105/88	83.8%			
BFLB100-2		0.85	119/100	83.6%			
<b>BFL120-2</b>	<b>32312001</b>	<b>1.00</b>	<b>140/114</b>	<b>83.0%</b>			
BFL90-2	Alternate Firing Rate	0.75	105/88	83.8%			
BFL100-2		0.85	119/100	83.6%			
<b>BFLB145NX2</b>	<b>32314547</b>	<b>1.20</b>	<b>168/137</b>		<b>83.1%</b>		
BFLB130NX2	Alternate Firing Rate	1.10	154/127		83.5%		
<b>BFL145NX2</b>	<b>32314544</b>	<b>1.20</b>	<b>168/137</b>		<b>83.1%</b>		
BFL130NX2	Alternate Firing Rate	1.10	154/127		83.5%		
<b>BFL100RF2</b>	<b>32310023</b>	<b>0.85</b>	<b>119/101</b>			<b>85.3%</b>	
BFL90RF-2	Alternate Firing Rate	0.75	105/90			85.6%	
<b>BFL100B2U2</b>	<b>32310015</b>	<b>0.85</b>	<b>119/101</b>				<b>85.4%</b>
BFL90B2U2	Alternate Firing Rate	0.75	105/90				86.4%
BFL120B2U2		1.00	140/117				83.7%

MOTOR DRIVES		BREECH	SHIP WGT. (LBS.)	DIMENSIONS			AC RANGE IN TONS	COOLING COIL SELECTIONS
PSC DIRECT DRIVE	BELT DRIVE			HEIGHT	WIDTH	DEPTH		
	1/3 HP	Rear Flue	290	41"	22"	51-1/2"		BCL 90 TO 145 Cased Cooling Coils 2 Ton CC24A3G-220R-066 2.5 Ton CC30C3G-220R-066 3 Ton CC36B3G-220R-066 3.5 Ton CC42C3G-220R-066 4 Ton CC48B3G-220R-066 5 Ton CC60D3G-260R-066
1/2 HP		Rear Flue	290	41"	22"	51-1/2"	Up to 4 Tons	
1 HP		Rear Flue	290	41"	22"	51-1/2"	Up to 5 Tons	
	1/2 HP	Rear Flue	290	41"	22"	51-1/2"	Up to 4 Tons	
1/2 HP		Rear Flue	290	41"	22"	51-1/2"	Up to 4 Tons	
1 HP		Rear Flue	290	41"	22"	51-1/2"	Up to 5 Tons	
	1/2 HP	Rear Flue	290	41"	22"	51-1/2"	Up to 4 Tons	
	3/4 HP	Rear Flue	453	56"	26"	49"	Up to 4 Tons	BCL 190 TO 225 Cased Cooling Coils 3- 4 Ton N/A 5 Ton CC60D3G-260R-066
	1 HP	Rear Flue	464	56"	26"	49"	Up to 5 Tons	
1/2 HP		Rear Flue	280	41"	22"	51-1/2"	Up to 4 Tons	BCL 90 TO 120 Cased Cooling Coils 2 Ton CC24A3G-220R-066 3 Ton CC36B3G-220R-066 3.5 Ton CC42C3G-220R-066
1/2 HP		Rear Flue	290	41"	22"	51-1/2"	Up to 4 Tons	
	1/3 HP	Front Flue	280	41"	22"	51-1/2"		
1/2 HP		Front Flue	280	41"	22"	51-1/2"	Up to 4 Tons	BFL Cased Cooling Coils 2 Ton CC24A3G-220R-066 2.5 Ton CC30C3G-220R-066 3 Ton CC36B3G-220R-066 3.5 Ton CC42C3G-220R-066 4 Ton CC48B3G-220R-066
	1/2 HP	Front Flue	280	41"	22"	51-1/2"	Up to 4 Tons	
1/2 HP		Front Flue	280	41"	22"	51-1/2"	Up to 4 Tons	
1/2 HP		Front Flue	280	41"	22"	51-1/2"	Up to 4 Tons	
1/2 HP		Front Flue	280	41"	22"	51-1/2"	Up to 4 Tons	
1/2 HP		Front Flue	280	41"	22"	51-1/2"	Up to 4 Tons	

# Specifications - Lowboy Series - BML, BMLV

MODEL	ITEM NUMBER	FIRING RATE GPH	INPUT/OUTPUT MBH	AFUE-CHIMNEY VENT		AFUE DIRECT-VENT	
				BECKETT AF	RIELLO 40F3	BECKETT AFII-85	RIELLO 40BF3
<b>BMLB80B2</b>	<b>32308075</b>	<b>0.65</b>	<b>91/76</b>	<b>84.0%</b>			
BMLB60B2	Alternate Firing Rate	0.50	70/59	84.0%			
BMLB90B2		0.75	105/85	83.0%			
<b>BML80B2</b>	<b>32308070</b>	<b>0.65</b>	<b>91/76</b>	<b>84.0%</b>			
BML60B2	Alternate Firing Rate	0.50	70/59	84.0%			
BML90B2		0.75	105/85	83.0%			
<b>BMLV80B2</b>	<b>32308076</b>	<b>0.65</b>	<b>91/76</b>	<b>84.0%</b>			
BMLV60B2	Alternate Firing Rate	0.50	70/59	84.0%			
BMLV90B2		0.75	105/85	83.0%			
<b>BML80BRF2</b>	<b>32308073</b>	<b>0.65</b>	<b>91/77</b>		<b>85.2%</b>		
BML60BFR2	Alternate Firing Rate	0.50	70/60		86.4%		
BML90BFR2		0.75	105/87		83.0%		
<b>BMLV80BFR2</b>	<b>32308078</b>	<b>0.65</b>	<b>91/77</b>		<b>85.4%</b>		
BMLV60BFR2	Alternate Firing Rate	0.50	70/60		86.4%		
BMLV90BFR2		0.75	105/87		83.0%		
<b>BML80BB2U2</b>	<b>32308072</b>	<b>0.65</b>	<b>91/76</b>			<b>84.3%</b>	
BML60BB2U2	Alternate Firing Rate	0.50	70/59			85.6%	
BML90BB2U2		0.75	105/88			83.8%	
<b>BMLV80BB2U2</b>	<b>32308077</b>	<b>0.65</b>	<b>91/76</b>			<b>84.3%</b>	
BMLV60BB2U2	Alternate Firing Rate	0.50	70/59			85.6%	
BMLV90BB2U2		0.75	105/88			83.8%	
<b>BML80BRBU2</b>	<b>32308074</b>	<b>0.65</b>	<b>91/78</b>				<b>86.1%</b>
BML60BRBU2	Alternate Firing Rate	0.50	70/60				87.2%
BML90BRBU2		0.75	105/88				84.7%
<b>BMLV80BRBU2</b>	<b>32308079</b>	<b>0.65</b>	<b>91/78</b>				<b>86.1%</b>
BMLV60BRBU2	Alternate Firing Rate	0.50	70/60				87.2%
BMLV90BRBU2		0.75	105/88				84.7%

**BOLD TYPE** indicates factory-equipped firing rate. Other firing rates shown utilize field-supplied nozzles.

MOTOR DRIVES			BREECH	SHIP WGT. (LBS.)	DIMENSIONS			AC RANGE IN TONS	COOLING COIL SELECTIONS
ECM VARIABLE SPEED	PSC DIRECT DRIVE	BELT DRIVE			HEIGHT	WIDTH	DEPTH		
		1/2 HP	Rear Flue	240	32"	22"	51-1/2"		BML Cased Cooling Coils 2 Ton CC24A3G-220R-066 2.5 Ton CC30C3G-220R-066 3 Ton CC36B3G-220R-066
	1/2 HP		Rear Flue	240	32"	22"	51-1/2"	Up to 3.5 Tons	
1/2 HP			Rear Flue	240	32"	22"	51-1/2"	Up to 3 Tons	
	1/2 HP		Rear Flue	240	32"	22"	51-1/2"	Up to 3.5 Tons	
1/2 HP			Rear Flue	240	32"	22"	51-1/2"	Up to 3 Tons	
	1/2 HP		Rear Flue	240	32"	22"	51-1/2"	Up to 3.5 Tons	
1/2 HP			Rear Flue	240	32"	22"	51-1/2"	Up to 3 Tons	
	1/2 HP		Rear Flue	240	32"	22"	51-1/2"	Up to 3.5 Tons	
1/2 HP			Rear Flue	240	32"	22"	51-1/2"	Up to 3 Tons	

# Specifications - Highboy Series - HML, HMLV, HTL, HTLV

MODEL	ITEM NUMBER	FIRING RATE GPH	INPUT/ OUTPUT MBH	AFUE-CHIMNEY VENT			AFUE DIRECT-VENT	
				BECKETT AF	BECKETT NX	RIELLO 40F3	BECKETT AFII-85	RIELLO 40BF3
<b>HML80C2</b>	<b>31308070</b>	<b>0.65</b>	<b>91/76</b>	<b>83.3%</b>				
HML60C2	Alternate Firing Rate	0.50	70/59	83.1%				
<b>HMLV80C2</b>	<b>31308076</b>	<b>0.65</b>	<b>91/76</b>	<b>83.3%</b>				
HMLV60C2	Alternate Firing Rate	0.50	70/59	83.1%				
<b>HML80CNX2</b>	<b>31308085</b>	<b>0.65</b>	<b>91/76</b>		<b>85.7%</b>			
HML60CNX2	Alternate Firing Rate	0.50	70/59		86.4%			
HML90CNX2		0.75	105/87		84.3%			
HML100CNX2		0.85	119/98		83.4%			
<b>HMLV80CNX2</b>		<b>31308090</b>	<b>0.65</b>	<b>91/76</b>		<b>85.7%</b>		
HMLV60CNX2	Alternate Firing Rate	0.50	70/59		86.4%			
HMLV90CNX2		0.75	105/87		84.3%			
HMLV100CNX2		0.85	119/98		83.4%			
<b>HML80CRF2</b>		<b>31308073</b>	<b>0.65</b>	<b>91/77</b>			<b>85.2%</b>	
HML60CRF2	Alternate Firing Rate	0.50	70/60			86.3%		
HML90CRF2		0.75	105/87			83.2%		
<b>HMLV80CRF2</b>		<b>31308078</b>	<b>0.65</b>	<b>91/77</b>			<b>85.2%</b>	
HMLV60CRF2	Alternate Firing Rate	0.50	70/60			86.3%		
HMLV90CRF2		0.75	105/87			83.2%		
<b>HML80CB2U2</b>		<b>31308072</b>	<b>0.65</b>	<b>91/76</b>				<b>83.9%</b>
HML60CB2U2	Alternate Firing Rate	0.55	77/65				84.6%	
HML90CB2U2		0.75	105/87				83.3%	
<b>HMLV80CB2U2</b>		<b>31308077</b>	<b>0.65</b>	<b>91/76</b>				<b>83.9%</b>
HMLV60CB2U2	Alternate Firing Rate	0.55	77/65				84.6%	
HMLV90CB2U2		0.75	105/87				83.3%	
<b>HML80CRBU2</b>		<b>31308074</b>	<b>0.65</b>	<b>91/77</b>				
HML60CRBU2	Alternate Firing Rate	0.50	70/60					86.7%
HML90CRBU2		0.75	105/88					84.5%
<b>HMLV80CRBU2</b>		<b>31308079</b>	<b>0.65</b>	<b>91/77</b>				
HMLV60CRBU2	Alternate Firing Rate	0.50	70/60					86.7%
HMLV90CRBU2		0.75	105/88					84.5%
<b>HTL120D2</b>		<b>31312070</b>	<b>1.00</b>	<b>140/117</b>	<b>83.0%</b>			
HTL90D2	Alternate Firing Rate	0.75	105/83	83.4%				
HTL100D2		0.85	119/100	84.0%				
<b>HTL115DRF2</b>		<b>31311573</b>	<b>0.95</b>	<b>133/112</b>			<b>84.1%</b>	
HTL90DRF2	Alternate Firing Rate	0.75	105/90			86.5%		
HTL100DRF2		0.85	119/101			85.3%		
<b>HTLV115DRF2</b>		<b>31311578</b>	<b>0.95</b>	<b>133/112</b>			<b>84.1%</b>	
HTLV90DRF2	Alternate Firing Rate	0.75	105/90			86.5%		
HTLV100DRF2		0.85	119/101			85.3%		

**BOLD TYPE** indicates factory-equipped firing rate. Other firing rates shown utilize field-supplied nozzles.



MOTOR DRIVES		BREECH	SHIP WGT. (LBS.)	DIMENSIONS			AC RANGE IN TONS	COOLING COIL SELECTIONS
ECM VARIABLE SPEED	PSC DIRECT DRIVE			HEIGHT	WIDTH	DEPTH		
	1/2 HP	Front Flue	250	49-5/8"	22"	30-3/4"	Up to 3.5 Tons	HML & HMLV CASED COOLING COILS 2 Ton CC24A3G-220R-066 2.5 Ton CC30C3G-220R-066 3 Ton CC36B3G-220R-066 3.5 Ton CC42C3G-220R-066
1/2 HP		Front Flue	250	49-5/8"	22"	30-3/4"	Up to 3.5 Tons	
	1/2 HP	Front Flue	250	49-5/8"	22"	30-3/4"	Up to 3.5 Tons	
1/2 HP		Front Flue	250	49-5/8"	22"	30-3/4"	Up to 3.5 Tons	
	1/2 HP	Front Flue	250	49-5/8"	22"	30-3/4"	Up to 3.5 Tons	
1/2 HP		Front Flue	250	49-5/8"	22"	30-3/4"	Up to 3.5 Tons	
	1/2 HP	Front Flue	250	49-5/8"	22"	30-3/4"	Up to 3.5 Tons	
1/2 HP		Front Flue	250	49-5/8"	22"	30-3/4"	Up to 3.5 Tons	
	1/2 HP	Front Flue	250	49-5/8"	22"	30-3/4"	Up to 3.5 Tons	
1/2 HP		Front Flue	250	49-5/8"	22"	30-3/4"	Up to 3.5 Tons	
	1/2 HP	Front Flue	250	49-5/8"	22"	30-3/4"	Up to 3.5 Tons	
1/2 HP		Front Flue	250	49-5/8"	22"	30-3/4"	Up to 3.5 Tons	
	1/2 HP	Front Flue	270	58"	22"	30-3/4"	Up to 3.5 Tons	HTL & HTLV CASED COOLING COILS 2 Ton CC24A3G-220R-066 2.5 Ton CC30C3G-220R-066 3 Ton CC36B3G-220R-066 3.5 Ton CC42C3G-220R-066
	1/2 HP	Front Flue	270	58"	22"	30-3/4"	Up to 3.5 Tons	
1/2 HP		Front Flue	270	58"	22"	30-3/4"	Up to 3.5 Tons	

# Specifications - Multi-Position Series (3 Positions) - WML,

MODEL	ITEM NUMBER	FIRING RATE GPH	INPUT/ OUTPUT MBH	AFUE-CHIMNEY VENT				AFUE DIRECT-VENT	
				BECKETT AF	BECKETT NX	RIELLO 40F3	RIELLO 40F5	BECKETT AFII-8 5	BECKETT AFII-150
WML60C2	<b>34306080/34306040*</b>	<b>0.50</b>	<b>70/59</b>	<b>83.3%</b>					
WMLV60C2	<b>34306076/34306046*</b>	<b>0.50</b>	<b>70/59</b>	<b>83.3%</b>					
WML80CNX2	<b>34308085/34308087*</b>	<b>0.65</b>	<b>91/76</b>		<b>85.5%</b>				
WML60CNX2	Alternate Firing Rate	0.50	70/60		86.3%				
WML90CNX2		0.75	105/88		85.0%				
WMLV80CNX2	<b>34308090/34308092*</b>	<b>0.65</b>	<b>91/76</b>		<b>85.5%</b>				
WMLV60CNX2	Alternate Firing Rate	0.50	70/60		86.3%				
WMLV90CNX2		0.75	105/88		85.0%				
WML80CRF2	<b>34308073/34308086*</b>	<b>0.65</b>	<b>91/76</b>			<b>83.3%</b>			
WML60CRF2	Alternate Firing Rate	0.51	71/61			85.2%			
WML90CRF2		0.75	105/88			83.4%			
WMLV80CRF2	<b>34308078/34308091*</b>	<b>0.65</b>	<b>91/76</b>			<b>83.3%</b>			
WMLV60CRF2	Alternate Firing Rate	0.51	71/61			85.2%			
WMLV90CRF2		0.75	105/88			83.4%			
WML80CB2U2	<b>34308072</b>	<b>0.65</b>	<b>91/75</b>					<b>83.6%</b>	
WML60CB2U2	Alternate Firing Rate	0.55	77/63					84.1%	
WML90CB2U2		0.75	105/84					83.6%	
WMLV80CB2U2	<b>34308077</b>	<b>0.65</b>	<b>91/75</b>					<b>83.6%</b>	
WMLV60CB2U2	Alternate Firing Rate	0.55	77/63					84.1%	
WMLV90CB2U2		0.75	105/84					83.6%	
WML80CRBU2	<b>34308074</b>	<b>0.65</b>	<b>91/78</b>						
WML60CRBU2	Alternate Firing Rate	0.51	71/62						
WML90CRBU2		0.75	105/88						
WMLV80CRBU	<b>34308079</b>	<b>0.65</b>	<b>91/78</b>						
WMLV60CRBU2	Alternate Firing Rate	0.51	71/62						
WMLV90CRBU2		0.75	105/88						
MPL120B2	<b>34312070</b>	<b>1.00</b>	<b>140/117</b>	<b>83.3%</b>					
MPL90B2	Alternate Firing Rate	0.75	105/90	85.0%					
MPL100B2		0.85	119/97	83.2%					
MPL120BRF2	<b>34312073</b>	<b>1.00</b>	<b>140/116</b>				<b>83.8%</b>		
MPL90BRF2	Alternate Firing Rate	0.75	105/91				86.6%		
MPL100BRF2		0.85	119/100				83.7%		
MPL130BRF2		1.10	154/126				83.0%		
MPL120BB2U2		<b>34312072</b>	<b>1.00</b>	<b>140/117</b>					<b>84.8%</b>
MPL90BB2U2	Alternate Firing Rate	0.75	105/87					83.6%	
MPL100BB2U2		0.85	119/101					84.5%	

**BOLD TYPE** indicates factory-equipped firing rate. Other firing rates shown utilize field-supplied nozzles. \* With Vestibule

# WMLV, MPL

UNIT	MOTOR DRIVES		BREECH	SHIP WGT. (LBS.)	DIMENSIONS			AC RANGE IN TONS	COOLING COIL SELECTIONS
	RIELLO 40BF3	ECM VARIABLE SPEED			PSC DIRECT DRIVE	HEIGHT	WIDTH		
		1/2 HP	Front Flue	265	55-1/4"	22"	22-1/8"	Up to 3 Tons	WML & WMLV CASED COOLING COILS 2 Ton CC24A3G-220R-066 2.5 Ton CC30C3G-220R-066 3 Ton CC36B3G-220R-066
	1/2 HP		Front Flue	265	55-1/4"	22"	22-1/8"	Up to 3 Tons	
		1/2 HP	Front Flue	265	55-1/4"	22"	22-1/8"	Up to 3 Tons	
	1/2 HP		Front Flue	265	55-1/4"	22"	22-1/8"	Up to 3 Tons	
		1/2 HP	Front Flue	265	55-1/4"	22"	22-1/8"	Up to 3 Tons	
	1/2 HP		Front Flue	265	55-1/4"	22"	22-1/8"	Up to 3 Tons	
		1/2 HP	Front Flue	265	55-1/4"	22"	22-1/8"	Up to 3 Tons	
	1/2 HP		Front Flue	265	55-1/4"	22"	22-1/8"	Up to 3 Tons	
		1/2 HP	Front Flue	265	55-1/4"	22"	22-1/8"	Up to 3 Tons	
	1/2 HP		Front Flue	265	55-1/4"	22"	22-1/8"	Up to 3 Tons	
		1/2 HP	Front Flue	265	55-1/4"	22"	22-1/8"	Up to 3 Tons	
	1/2 HP		Front Flue	265	55-1/4"	22"	22-1/8"	Up to 3 Tons	
		1/2 HP	Front Flue	265	55-1/4"	22"	22-1/8"	Up to 3 Tons	
	1/2 HP		Front Flue	265	55-1/4"	22"	22-1/8"	Up to 3 Tons	
		1/2 HP	Front Flue	265	55-1/4"	22"	22-1/8"	Up to 3 Tons	
		3/4 HP	Front Flue	320	65"	22-1/4"	22-1/4"	Up to 3 Tons	MPL CASED COOLING COILS 2 Ton CC24A3G-220R-066 2.5 Ton CC30C3G-220R-066 3 Ton CC36B3G-220R-066
		3/4 HP	Front Flue	320	65"	22-1/4"	22-1/4"	Up to 3 Tons	
		3/4 HP	Front Flue	320	65"	22-1/4"	22-1/4"	Up to 3 Tons	

# Olsen®

## Oil Furnaces

ECR International takes pride in offering a full line of heating and cooling appliances including the Olsen brand of oil furnaces. The full line of quality Olsen oil furnaces offers brand recognition, application versatility and a wide range of energy-efficient models that are easy to install and maintain.

Olsen products have been manufactured for over 60 years, and ECR International is committed to providing you with the best heating products and support to allow you to service your customers better. Browse our products online at [www.olsenhvac.com](http://www.olsenhvac.com) to learn more about how Olsen can meet your heating needs.

ECR International, Inc.  
2201 Dwyer Ave., Utica, NY 13501  
Phone: (315) 797-1310 or (800) 325-5479  
[www.olsenhvac.com](http://www.olsenhvac.com)  
©2019 All Rights Reserved



2201 Dwyer Avenue, Utica, NY 13501  
Tel. 800 253 7900  
[www.ecrinternational.com](http://www.ecrinternational.com)

All specifications subject to change without notice.  
©2019 ECR International, Inc.  
PN 240009878 REV. [6/18/2019]